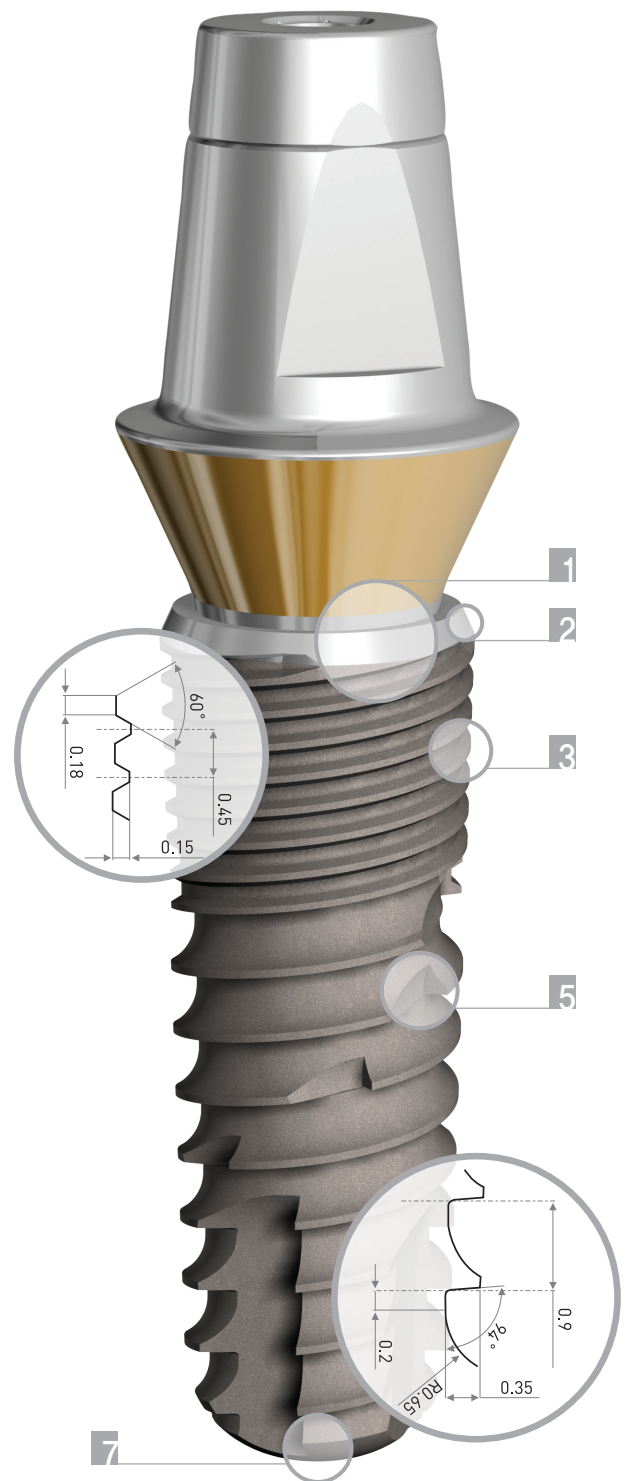
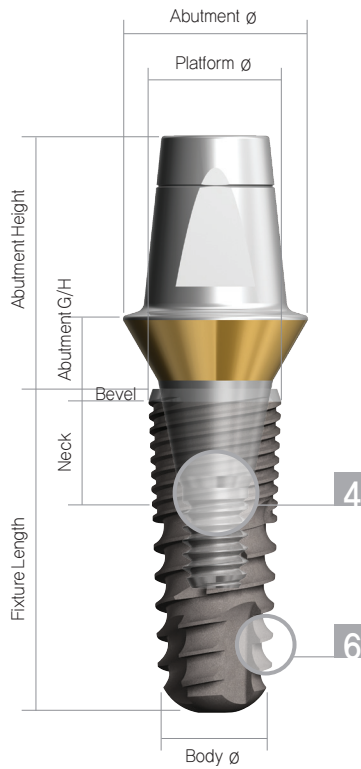
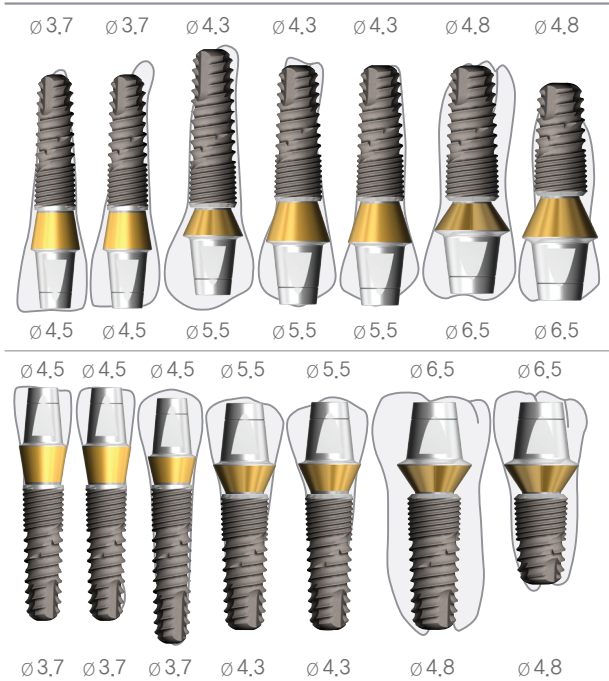


# Features of CLEANLANT s-Clean tapered



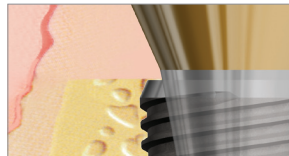
## Selection Guide





**1 Platform switching**

- \_ Platform switching helps to minimize bone loss that can reduce peak-stress and thereby preserve marginal bone.
- \_ Effective to establish a certain biological width of the peri-implant mucosa

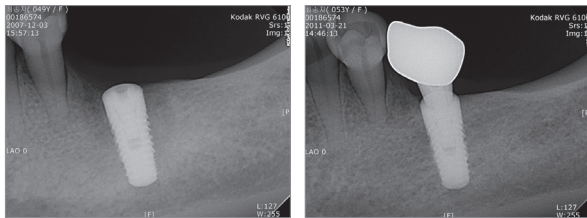


**2 Smooth shoulder**

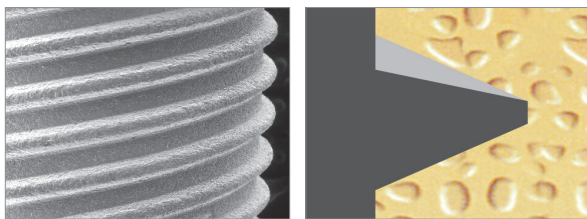
- \_ Smooth surfaced fixture shoulder helps immediate ensuring of insertion depth
- \_ Allowing easy bone profiling at 1<sup>st</sup>, 2<sup>nd</sup> surgery

**3 Optimal Fit Thread**

- \_ Synchronized Optimal Fit thread prevents cortex absorption by distribution of bone stress
- \_ Higher initial stability by maximizing optimal sealing between cortical bone and fixture.

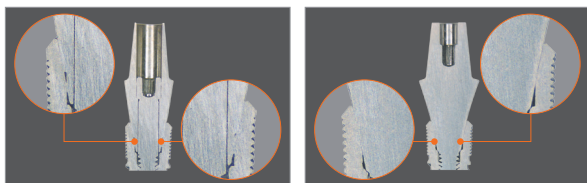


X-ray 5years post-op showing preserved marginal bone level



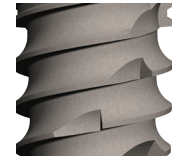
**4 Hermetic sealing**

- \_ Hermetic sealing between fixture and abutment ensures even distribution of the load and minimizes the micro movement and marginal bone loss.



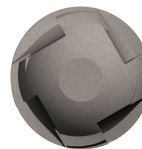
**5 Safe Cutting Edge**

- \_ Reduction of bone stress, allowing smoother insertion



**6 Self tapping groove**

- \_ Self tapping induction with a boosted up drilling capability
- \_ Allow space for bone chip, boosting fixation strength



**7 Dome End**

- \_ Less perforation possibility

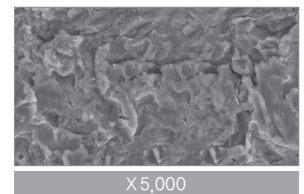


**Tapered Design**

- \_ Tapered load distribution may effective to get good primary stability
- \_ Less affection from adjacent teeth
- \_ Help Immediate ensuring of a path during surgery

**Optimum RBM surface**

- \_ Optimised 1,3–1,8µm of roughness
- \_ 192% enhanced magnification than smooth surface.

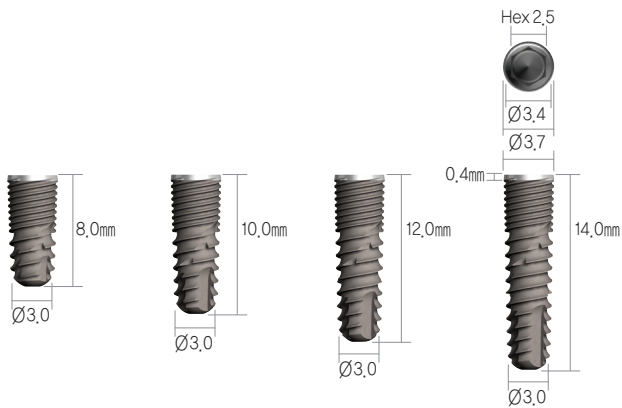


**Double Thread Design**

- \_ Double Thread design will reduce chair time.

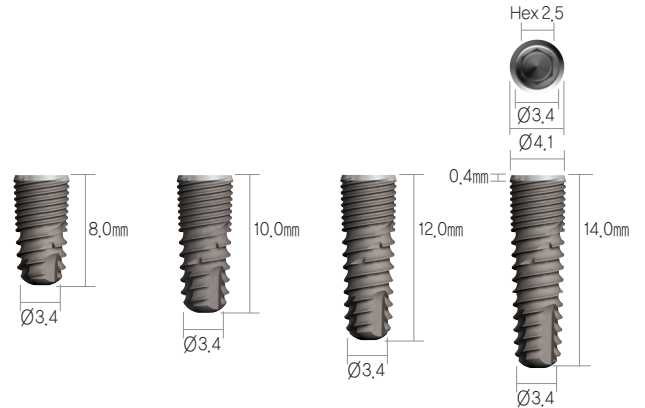


# Fixture Line Up



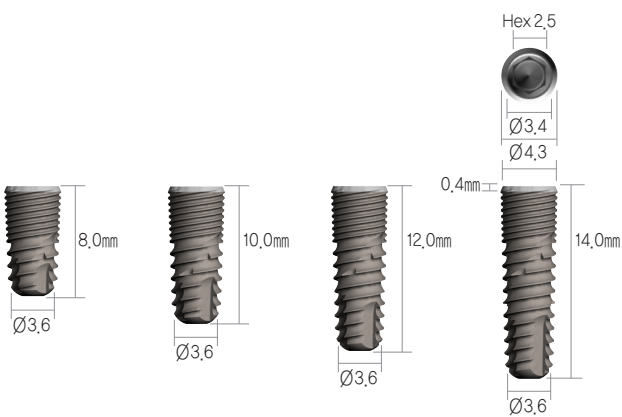
Mini		
Implant Diameter	Length	Code No.
Ø3,7	8,0mm	DSFM3708S
	10,0mm	DSFM3710S
	12,0mm	DSFM3712S
	14,0mm	DSFM3714S

※ Set Code : Fixture + Cover Screw



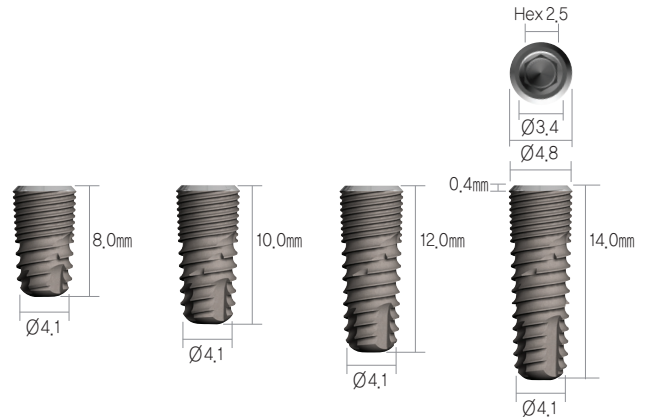
Regular		
Implant Diameter	Length	Code No.
Ø3,4	8,0mm	DSFR4108S
	10,0mm	DSFR4110S
	12,0mm	DSFR4112S
	14,0mm	DSFR4114S

※ Set Code : Fixture + Cover Screw



Regular		
Implant Diameter	Length	Code No.
Ø3,6	8,0mm	DSFR4308S
	10,0mm	DSFR4310S
	12,0mm	DSFR4312S
	14,0mm	DSFR4314S

※ Set Code : Fixture + Cover Screw



Wide		
Implant Diameter	Length	Code No.
Ø4,1	8,0mm	DSFW4808S
	10,0mm	DSFW4810S
	12,0mm	DSFW4812S
	14,0mm	DSFW4814S

※ Set Code : Fixture + Cover Screw