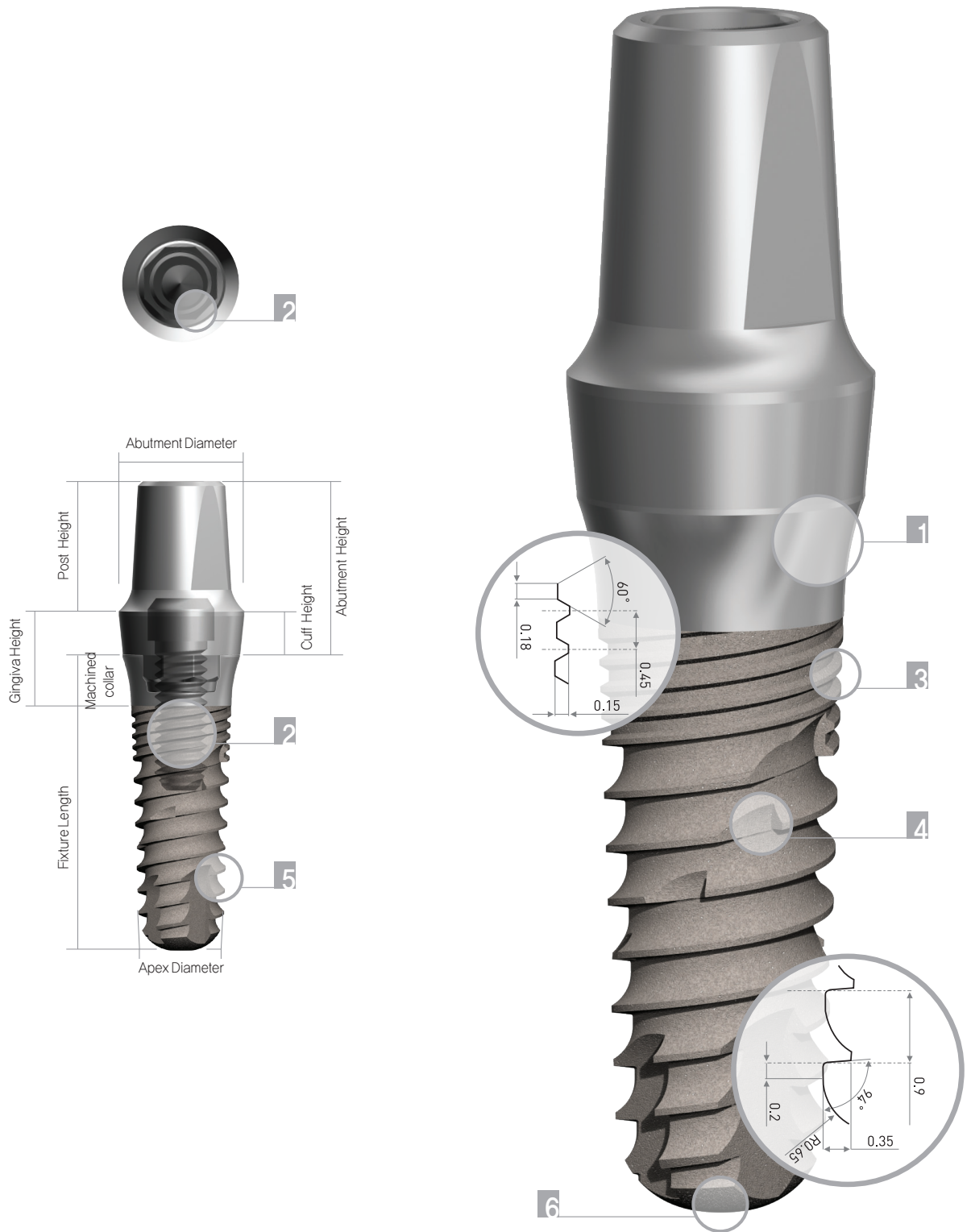


Features of CLEANLANT *i-Clean* tapered



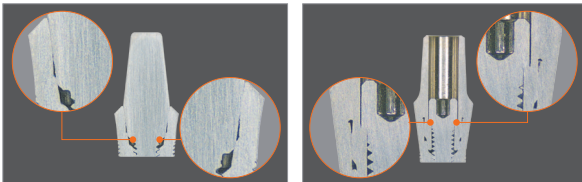


1 Smooth Collar

- _ Enabling one stage surgical procedure
- _ Built in soft tissue management
- _ Simple handling of prosthetics and high accessibility of connection at tissue level

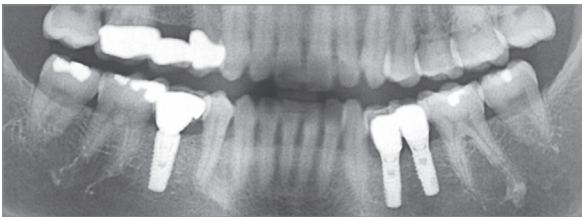
2 Internal Octagon Connection

- _ 8° tapered and octagon connection
- _ Hermetic sealing with no micro gap and move

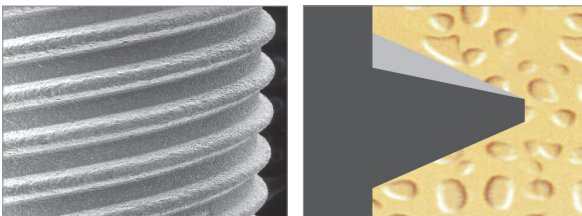


3 Optimal Fit Thread

- _ Synchronized optimal fit thread prevents cortex absorption by distribution of bone stress
- _ Higher initial stability by maximizing optimal sealing between cortical bone and fixture

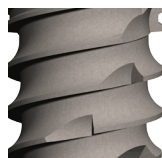


X-ray 5 years post-op showing preserved marginal bone level



4 Safe Cutting Edge

- _ Reduction of bone stress allowing smoother insertion



5 Self Tapping Groove

- _ Self tapping induction with a boosted up drilling capability
- _ Allow space for bone chip boosting fixation strength



6 Dome End

- _ Less perforation possibility

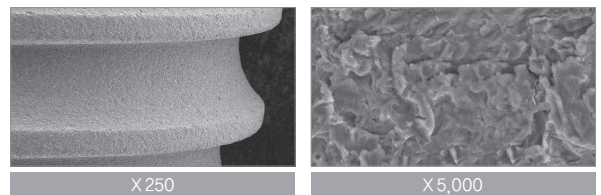


Tapered Body

- _ Tapered body condense bone gradually
- _ Improved initial stability

Optimum RBM surface

- _ Optimised 1,3–1,8µm of roughness
- _ 43% enhanced magnification than smooth surface



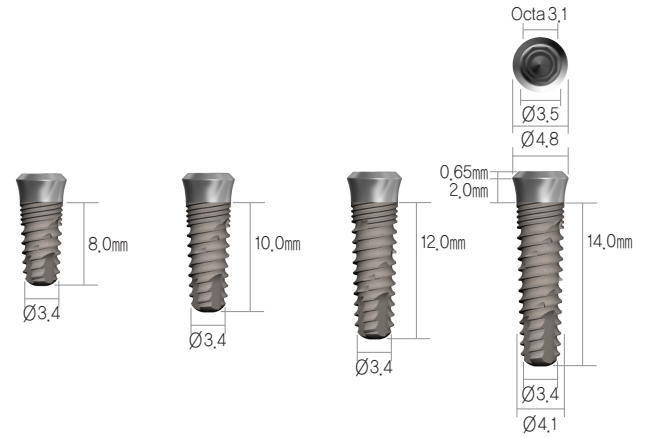
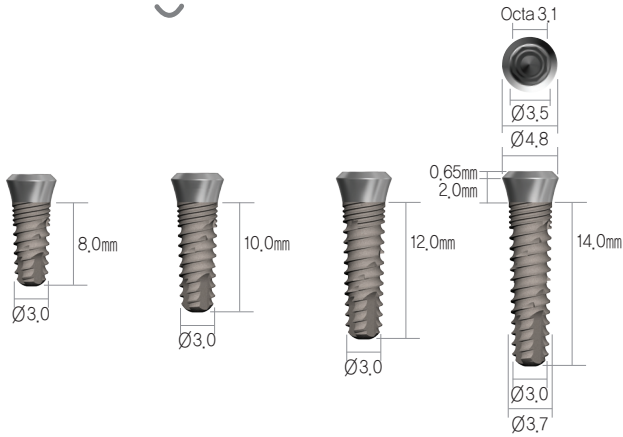
Double Lead Thread Design

- _ Faster insertion may reduces chair time



Fixture Line Up

▶ P/D : Platform Diameter | ▶ F/D : Fixture Diameter

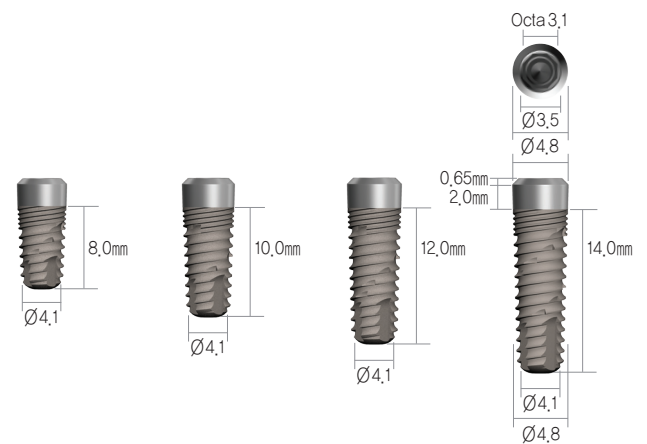
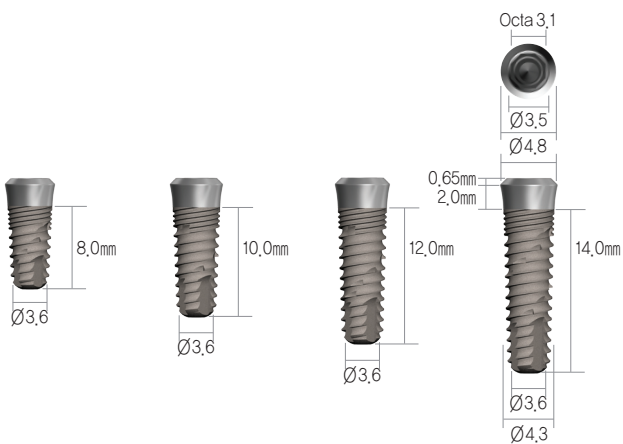


Mini			
P/D	F/D	Length	Code No.
Ø4,8	Ø3,7	8,0mm	DIFM3708S
		10,0mm	DIFM3710S
		12,0mm	DIFM3712S
		14,0mm	DIFM3714S

※ Set Code(S) : Fixture + Cover Screw (DICS1)

Regular			
P/D	F/D	Length	Code No.
Ø4,8	Ø4,1	8,0mm	DIFR4108S
		10,0mm	DIFR4110S
		12,0mm	DIFR4112S
		14,0mm	DIFR4114S

※ Set Code(S) : Fixture + Cover Screw (DICS1)



Regular			
P/D	F/D	Length	Code No.
Ø4,8	Ø4,3	8,0mm	DIFR4308S
		10,0mm	DIFR4310S
		12,0mm	DIFR4312S
		14,0mm	DIFR4314S

※ Set Code(S) : Fixture + Cover Screw (DICS1)

Wide			
P/D	F/D	Length	Code No.
Ø4,8	Ø4,8	8,0mm	DIFWR4808S
		10,0mm	DIFWR4810S
		12,0mm	DIFWR4812S
		14,0mm	DIFWR4814S

※ Set Code(S) : Fixture + Cover Screw (DICS1)