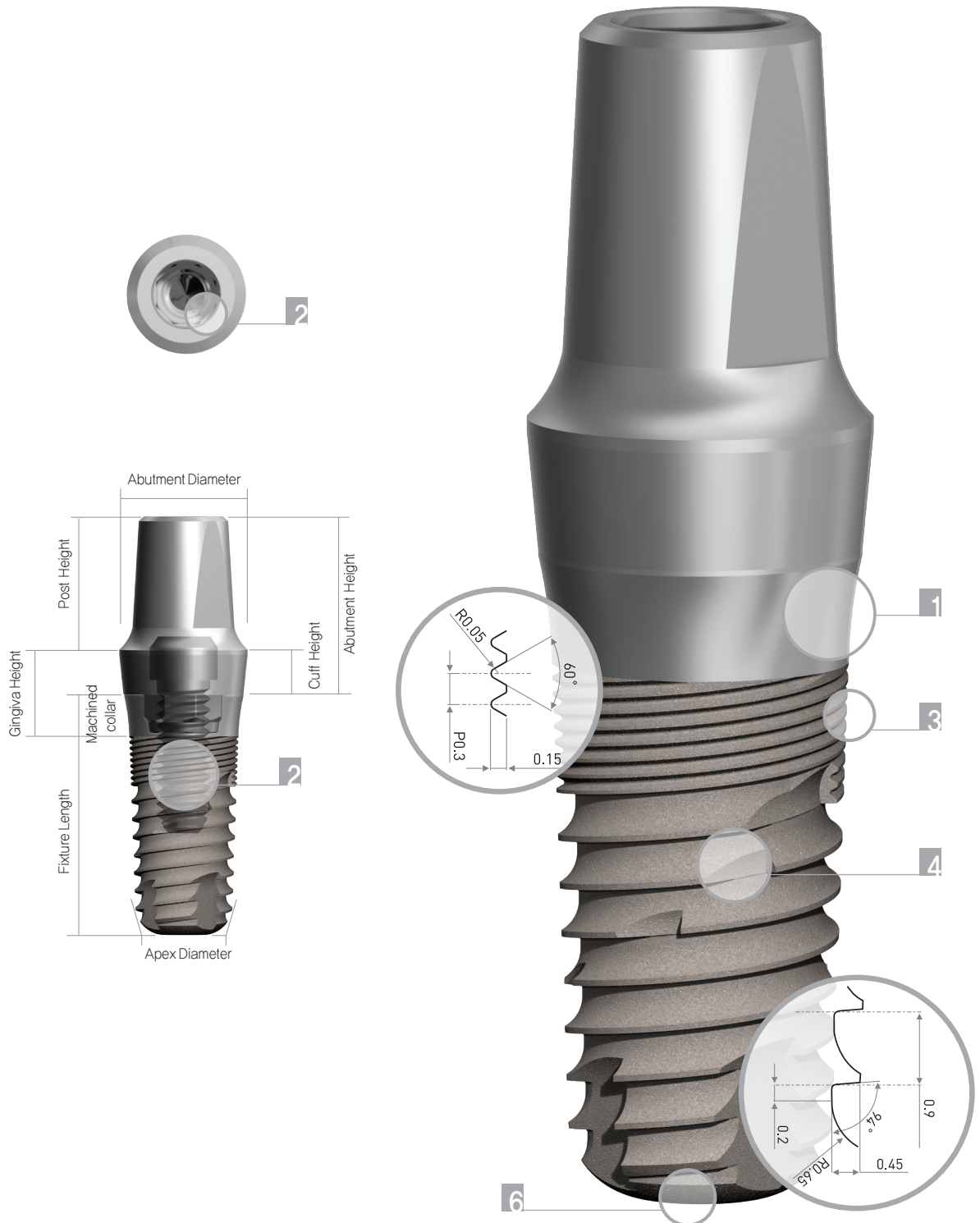
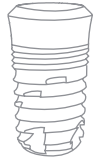


# Features of CLEANLANT **SAVE** Fixture



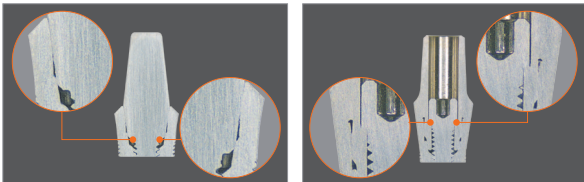


**1 Smooth Collar**

- \_ Enabling one stage surgical procedure
- \_ Built in soft tissue management
- \_ Simple handling of prosthetics and high accessibility of connection at tissue level

**2 Internal Octagon Connection**

- \_ 8° tapered and octagon connection
- \_ Hermetic sealing with no micro gap and move

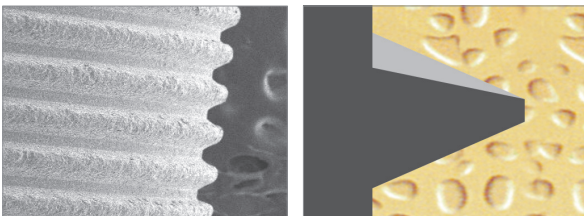


**3 Optimal Fit Thread**

- \_ Synchronized optimal fit thread prevents cortex absorption by distribution of bone stress
- \_ Higher initial stability by maximizing optimal sealing between cortical bone and fixture

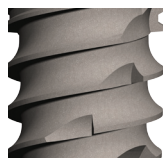


X-ray 5 years post-op showing preserved marginal bone level



**4 Safe Cutting Edge**

- \_ Reduction of bone stress allowing smoother insertion



**5 Self Tapping Groove**

- \_ Self tapping induction with a boosted up drilling capability
- \_ Allow space for bone chip boosting fixation strength



**6 Dome End**

- \_ Less perforation possibility

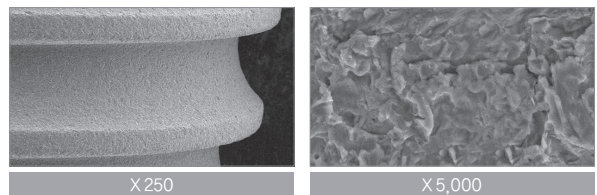


**Tapered Body**

- \_ Tapered body condense bone gradually
- \_ Improved initial stability

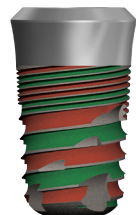
**Optimum RBM surface**

- \_ Optimised 1,3–1,8µm of roughness
- \_ 43% enhanced magnification than smooth surface



**Double Lead Thread Design**

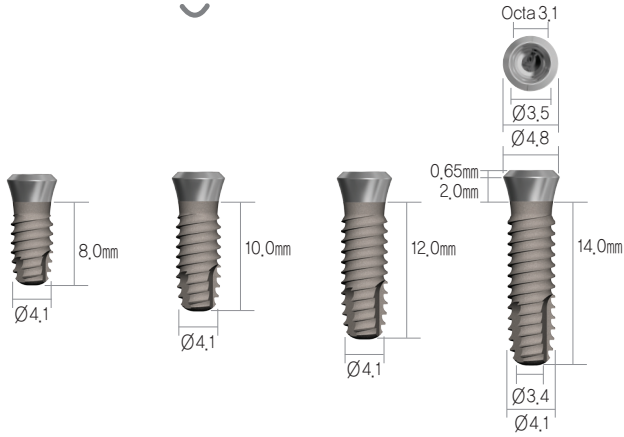
- \_ Faster insertion may reduces chair time



**For Wide Extraction Socket**

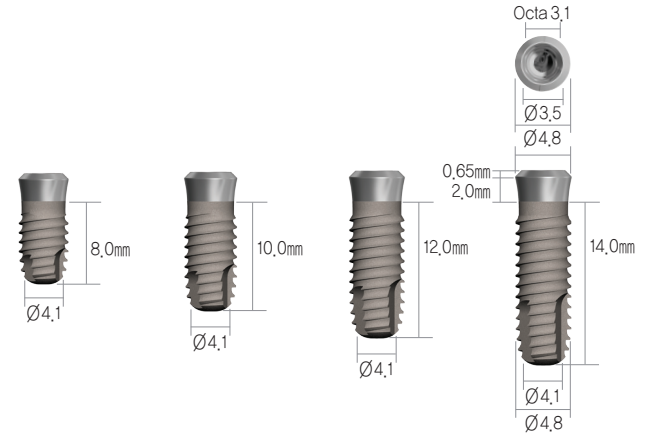
- \_ Designed for wider extraction socket
- \_ For Recovering of failed implant

# i-Clean<sup>straight</sup>



Regular			
P/D	F/D	Length	Code No.
Ø4.8	Ø4.1	8.0mm	DISF4108LS
		10.0mm	DISF4110LS
		12.0mm	DISF4112LS
		14.0mm	DISF4114LS

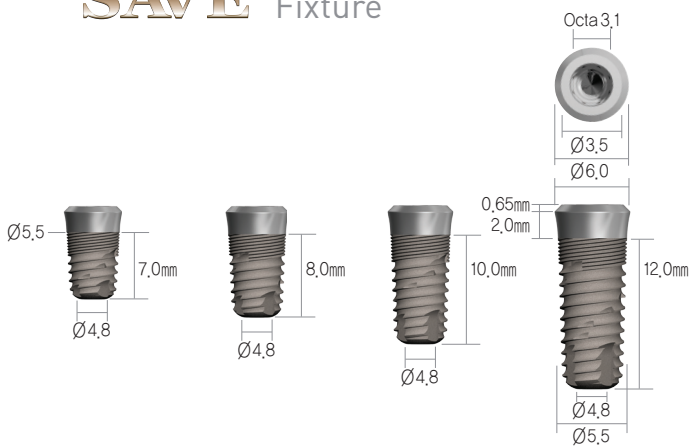
※ Set Code(S) : Fixture + Cover Screw (DICS1)



Wide			
P/D	F/D	Length	Code No.
Ø4.8	Ø4.8	8.0mm	DISF4808LS
		10.0mm	DISF4810LS
		12.0mm	DISF4812LS
		14.0mm	DISF4814LS

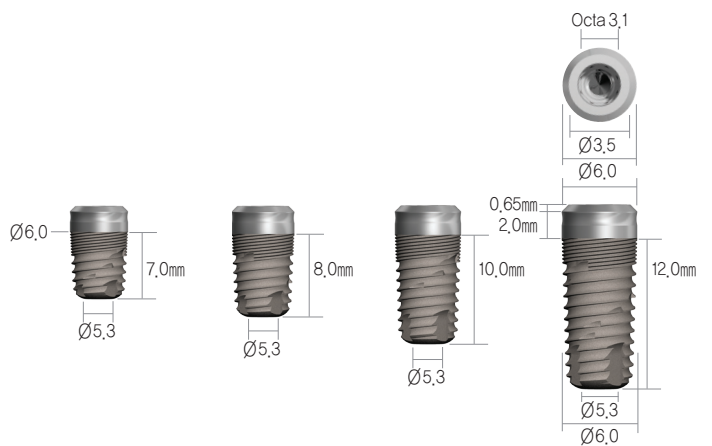
※ Set Code(S) : Fixture + Cover Screw (DICS1)

# SAVE Fixture



SAVE			
P/D	F/D	Length	Code No.
Ø6.0	Ø5.5	7.0mm	DIFS5507S
		8.0mm	DIFS5508S
		10.0mm	DIFS5510S
		12.0mm	DIFS5512S

※ Set Code(S) : Fixture + Cover Screw(DISCS60)



SAVE			
P/D	F/D	Length	Code No.
Ø6.0	Ø6.0	7.0mm	DIFS6007S
		8.0mm	DIFS6008S
		10.0mm	DIFS6010S
		12.0mm	DIFS6012S

※ Set Code(S) : Fixture + Cover Screw(DISCS60)