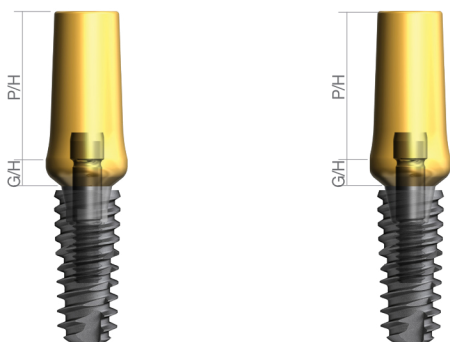


FreeMill Abutment | Regular / Wide [Hex / N-Hex]



DSFMA5520HHCTS + DSSFR4510

DSFMA5520NHCTS + DSSFR4510

Abutment Diameter	G/H	Type	Code No.
Ø4.0	1.5mm	Hex	DSFMA4015HHCTS
		N-Hex	DSFMA4015NHCTS
Ø4.0	3.0mm	Hex	DSFMA4030HHCTS
		N-Hex	DSFMA4030NHCTS

※ Set Code(S) : Abutment + Abutment Screw[DSAS]

Abutment Diameter	G/H	Type	Code No.
Ø4.5	2.0mm	Hex	DSFMA4520HHCTS
		N-Hex	DSFMA4520NHCTS
Ø4.5	3.0mm	Hex	DSFMA4530HHCTS
		N-Hex	DSFMA4530NHCTS

※ Set Code(S) : Abutment + Abutment Screw[DSAS]

Abutment Diameter	G/H	Type	Code No.
Ø5.5	2.0mm	Hex	DSFMA5520HHCTS
		N-Hex	DSFMA5520NHCTS
Ø5.5	3.0mm	Hex	DSFMA5530HHCTS
		N-Hex	DSFMA5530NHCTS

※ Set Code(S) : Abutment + Abutment Screw[DSAS]

Abutment Diameter	G/H	Type	Code No.
Ø6.5	2.0mm	Hex	DSFMA6520HHCTS
		N-Hex	DSFMA6520NHCTS
Ø6.5	4.0mm	Hex	DSFMA6540HHCTS
		N-Hex	DSFMA6540NHCTS

※ Set Code(S) : Abutment + Abutment Screw[DSAS]

