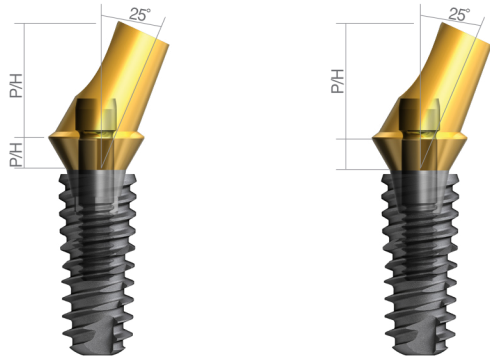


Angled Abutment | Regular / Wide [25°]



DSAA55252HCTS + DSSFR4510

DSAA55252NCTS + DSSFR4510

Abutment Diameter	Angle	G/H	Type	Code No.
Ø4.5	25°	1mm	Hex	DSAA45251HCTS
			N-Hex	DSAA45251NHCTS
		2mm	Hex	DSAA45252HCTS
			N-Hex	DSAA45252NHCTS
		4mm	Hex	DSAA45254HCTS
			N-Hex	DSAA45254NHCTS

※ Set Code(S) : Abutment + Abutment Screw
[1mm – DSAS1 / 2, 4mm – DSAS]

Abutment Diameter	Angle	G/H	Type	Code No.
Ø5.5	25°	1mm	Hex	DSAA55251HCTS
			N-Hex	DSAA55251NHCTS
		2mm	Hex	DSAA55252HCTS
			N-Hex	DSAA55252NHCTS
		4mm	Hex	DSAA55254HCTS
			N-Hex	DSAA55254NHCTS

※ Set Code(S) : Abutment + Abutment Screw
[1mm – DSAS1 / 2, 4mm – DSAS]

Abutment Diameter	Angle	G/H	Type	Code No.
Ø6.5	25°	1mm	Hex	DSAA65251HCTS
			N-Hex	DSAA65251NHCTS
		2mm	Hex	DSAA65252HCTS
			N-Hex	DSAA65252NHCTS
		4mm	Hex	DSAA65254HCTS
			N-Hex	DSAA65254NHCTS

※ Set Code(S) : Abutment + Abutment Screw
[1mm – DSAS1 / 2, 4mm – DSAS]

