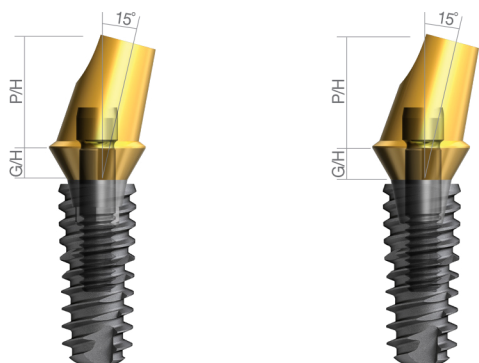


Angled Abutment | Regular / Wide [15°]



DSAA55152HCTS + DSSFR4510 DSAA55152NCTS + DSSFR4510

Abutment Diameter	Angle	G/H	Type	Code No.
Ø4.5	15°	1mm	Hex N-Hex	DSAA45151HCTS DSAA45151NHCTS
		2mm	Hex N-Hex	DSAA45152HCTS DSAA45152NHCTS
		4mm	Hex N-Hex	DSAA45154HCTS DSAA45154NHCTS

※ Set Code(S) : Abutment + Abutment Screw
[1mm – DSAS1 / 2, 4mm – DSAS]

Abutment Diameter	Angle	G/H	Type	Code No.
Ø5.5	15°	1mm	Hex N-Hex	DSAA55151HCTS DSAA55151NHCTS
		2mm	Hex N-Hex	DSAA55152HCTS DSAA55152NHCTS
		4mm	Hex N-Hex	DSAA55154HCTS DSAA55154NHCTS

※ Set Code(S) : Abutment + Abutment Screw
[1mm – DSAS1 / 2, 4mm – DSAS]

Abutment Diameter	Angle	G/H	Type	Code No.
Ø6.5	15°	1mm	Hex N-Hex	DSAA65151HCTS DSAA65151NHCTS
		2mm	Hex N-Hex	DSAA65152HCTS DSAA65152NHCTS
		4mm	Hex N-Hex	DSAA65154HCTS DSAA65154NHCTS

※ Set Code(S) : Abutment + Abutment Screw
[1mm – DSAS1 / 2, 4mm – DSAS]

